



“AN
ISO 9001- 2015
WHO - GMP
CERTIFIED CO.”



*** UROLOGY**

*** GASTROENTEROLOGY**

*** GYNECOLOGY**

*** RESPIRATORY**

*** SUTURES**

*** BLOOD TRANSFUSION**

*** INFUSION THERAPY**

*** BLADES AND SCALPELS**

SAFETY IV CANNULA/CATHETER



Quick Flash
Back Needle

FEATURES :

- Large flash back chamber for clear flash back.

QUICK FLASH BACK

* Available with all variants of all IV Cannula



SAFETY IV CANNULA/ CATHETER WITH WINGS & INJECTION PORT



Injection Port Cap



Tapered Tip



Quick Flash Back Needle



Flash Back Chamber



Safety Cage

FEATURES:

- Passive device for protection from needle stick injury.
- Needle sharp tip is locked inside a plastic cage after use.
- The plastic cage is designed to enclose needle sharp tip after the needle is withdrawn hence preventing healthcare professionals from the risk of accidental needle stick injury.

OPTION AVAILABLE :

- FEP/PTFE/PUR Catheter
- Hydrophobic filter
- Flip port cap
- Medical paper/Tyvek
- Sterile / Non-pyrogenic / Single use

Technical Specification

Size	Catheter Outer Dia (mm)	Catheter Length (mm)	Water Flow rate (ml./min.)	Packing inner/Outer Unit
14G Orange	2.1	45	270	50/500
16G Grey	1.8	45	200	50/500
17G White	1.5	45	125	50/500
18G Green	1.3	45	90	50/500
20G Pink	1.1	32	60	50/500
22G Blue	0.9	25	36	50/500
24G Yellow	0.7	19	23	50/500



SAFETY IV CANNULA/ CATHETER WITH WINGS & WITHOUT INJECTION PORT



Tapered Tip



Quick Flash Back Needle



Flash Back Chamber



Safety Cage

FEATURES:

- Passive device for protection from needle stick injury.
- Needle sharp tip is locked inside a plastic cage after use.
- The plastic cage is designed to enclose needle sharp tip after the needle is withdrawn hence preventing healthcare professionals from the risk of accidental needle stick injury.

OPTION AVAILABLE :

- FEP/PTFE/PUR Catheter
- Hydrophobic filter
- Medical paper/Tyvek
- Sterile / Non-pyrogenic / Single use

Technical Specification

Size	Catheter Outer Dia (mm)	Catheter Length (mm)	Water Flow rate (ml./min.)	Packing inner/Outer Unit
14G Orange	2.1	45	270	50/500
16G Grey	1.8	45	200	50/500
17G White	1.5	45	125	50/500
18G Green	1.3	45	90	50/500
20G Pink	1.1	32	60	50/500
22G Blue	0.9	25	36	50/500
24G Yellow	0.7	19	23	50/500



**SAFETY IV CANNULA/ CATHETER
WITHOUT WINGS & WITHOUT INJECTION PORT**



Tapered Tip



Quick Flash
Back Needle



Flash Back
Chamber



Safety Cage

FEATURES:

- Passive device for protection from needle stick injury.
- Needle sharp tip is locked inside a plastic cage after use.
- The plastic cage is designed to enclose needle sharp tip after the needle is withdrawn hence preventing healthcare professionals from the risk of accidental needle stick injury.

OPTION AVAILABLE :

- FEP/PTFE/PUR Catheter
- Hydrophobic filter
- Medical paper/Tyvek
- Sterile / Non-pyrogenic / Single use

Technical Specification

Size	Catheter Outer Dia (mm)	Catheter Length (mm)	Water Flow rate (ml./min.)	Packing inner/Outer Unit
14G Orange	2.1	45	270	50/500
16G Grey	1.8	45	200	50/500
17G White	1.5	45	125	50/500
18G Green	1.3	45	90	50/500
20G Pink	1.1	32	60	50/500
22G Blue	0.9	25	36	50/500
24G Yellow	0.7	19	23	50/500



**SAFETY IV CANNULA/ CATHETER
WITHOUT WINGS & WITHOUT INJECTION PORT**



Quick Flash
Back Needle

FEATURES:

- Passive device with full protection from needle stick injury.
- Complete Needle is locked inside a plastic cage after use.
- The size and cannulation technique of Safety I.V. Cannula is similar to convention I.V. Cannula.

Hydrophobic Porus Plug :

- Medical grade 30µ ± 10µ porus plug provided in flash back chamber

SPECIAL FEATURES:

- Large flash back chamber for clear flash back.
- Designed in such a way that it can be used by clinician by single hand.

OPTION AVAILABLE :

- FEP/PTFE/PUR Catheter
- Medical paper/Tyvek
- Packing in Color coded M.K.P.
- Sterile / Non-pyrogenic / Single use

Technical Specification

Size	Catheter Outer Dia (mm)	Catheter Length (mm)	Water Flow rate (ml./min.)	Packing inner/Outer Unit
14G Orange	2.1	45	270	50/500
16G Grey	1.8	45	200	50/500
17G White	1.5	45	125	50/500
18G Green	1.3	45	90	50/500
20G Pink	1.1	32	60	50/500
22G Blue	0.9	25	36	50/500
24G Yellow	0.7	19	23	50/500
26G Violet	0.6	19	15	50/500



SAFETY IV CANNULA/ CATHETER WITH WINGS & INJECTION PORT



Injection Port Cap



Tapered Tip



Quick Flash Back Needle



Flash Back Chamber



Safety Cage

FEATURES:

- Passive device for protection from needle stick injury.
- Needle sharp tip is locked inside a plastic cage after use.
- The plastic cage is designed to enclose needle sharp tip after the needle is withdrawn hence preventing healthcare professional from the risk of accidental needle stick injury.
- The size and cannulation technique of Safety I.V. Cannula is similar to convention I.V. Cannula.

OPTION AVAILABLE :

- FEP/PTFE/PUR Catheter
- Hydrophobic filter
- Flip port cap.
- Medical paper/Tyvek
- Sterile / Non-pyrogenic / Single use

Technical Specification

Size	Catheter Outer Dia (mm)	Catheter Length (mm)	Water Flow rate (ml./min.)	Packing inner/Outer Unit
14G Orange	2.1	45	270	50/500
16G Grey	1.8	45	200	50/500
17G White	1.5	45	125	50/500
18G Green	1.3	45	90	50/500
20G Pink	1.1	32	60	50/500
22G Blue	0.9	25	36	50/500
24G Yellow	0.7	19	23	50/500



IV CANNULA/ CATHETER WITH INTEGRATED 3 WAY STOP COCK



Quick Flash Back Needle



Colored 3 way stop cock

FEATURES:

NEEDLE: Siliconized, ultra sharp, multi facet, stainless steel, back cut, needle help clinician to perform easy and painless veni puncture.

CATHETER: Siliconized with an exclusive process and made of Best FEP material sourced from Europe has smooth outer surface and tapered tip for extra smooth and painless veni puncture with minimum pain.

THREE WAY STOP COCK: Very smooth rotating three way stop cock can provide multiple infusion at a time.

FLASHBACK CHAMBER: It allows quick visualizations of flash back of blood and confirmation of successful veni puncture.

FLEXIBLE WINGS: The flexible wings provides easy gripping and follows the contours of site allowing more secure fixation.

NEEDLE COVER: Transparent needle cover to prevent accidental damage to needle and catheter.

COLOR CODED TAP:

The color coded tap is provided to identify the gauge

OPTION AVAILABLE :

- FEP/PTFE/PUR Catheter
- Medical paper/Tyvek
- Hydrophobic filter
- Sterile/ Non- Pyrogenic/ Single use

Technical Specification

Size	Catheter Outer Dia (mm)	Catheter Length (mm)	Water Flow rate (ml./min.)	Packing inner/Outer Unit
16G Grey	1.8	45	200	50/500
18G Green	1.3	45	90	50/500
20G Pink	1.1	32	60	50/500
22G Blue	0.9	25	36	50/500



Tapered Tip



Quick Flash Back Needle



Injection Port Cap



Flash Back Chamber

IV CANNULA/ CATHETER WITH WINGS & INJECTION PORT

FEATURES:

NEEDLE: Siliconized, ultra sharp, multi facet, stainless steel, back cut, needle help clinician to perform easy and painless veni puncture.

CATHETER: Siliconized with an exclusive process and made of FEP/PTFE/PUR material has smooth outer surface and tapered tip for extra smooth and painless veni puncture with minimum pain.

FLASHBACK CHAMBER: It allows quick visualizations of flash back of blood and confirmation of successful veni puncture.

FLEXIBLE WINGS: The flexible wings provides easy gripping and follows the contours of site allowing more secure fixation.

NEEDLE COVER: Transparent needle cover to prevent accidental damage to needle and catheter.

OPTION AVAILABLE :

- FEP/PTFE/PUR Catheter
- Flip port cap
- Medical paper/Tyvek
- Hydrophobic filter
- Packing in Colour coded M.K.P.
- Sterile / Non-Pyrogenic/Single Use

Technical Specification

Size	Catheter Outer Dia (mm)	Catheter Length (mm)	Water Flow rate (ml./min.)	Packing inner/Outer Unit
14G Orange	2.1	45	270	100/1000
16G Grey	1.8	45	200	100/1000
17G White	1.5	45	125	100/1000
18G Green	1.3	45	90	100/1000
20G Pink	1.1	32	60	100/1000
22G Blue	0.9	25	36	100/1000
24G Yellow	0.7	19	23	100/1000
26G Violet	0.6	19	15	100/1000



Tapered Tip



Quick Flash Back Needle



Wings



Flash Back Chamber

IV CANNULA/ CATHETER WITH WINGS & WITHOUT INJECTION PORT

FEATURES:

NEEDLE: Siliconized, ultra sharp, multi facet, stainless steel, back cut, needle help clinician to perform easy and painless veni puncture.

CATHETER: Siliconized with an exclusive process and made of FEP/PTFE/PUR material has smooth outer surface and tapered tip for extra smooth and painless veni puncture with minimum pain.

FLASHBACK CHAMBER: It allows quick visualizations of flash back of blood and confirmation of successful veni puncture.

FLEXIBLE WINGS: The flexible wings provides easy gripping and follows the contours of site allowing more secure fixation.

NEEDLE COVER: Transparent needle cover to prevent accidental damage to needle and catheter.

OPTION AVAILABLE :

- FEP/PTFE/PUR Catheter
- Medical paper/Tyvek
- Hydrophobic filter
- Packing in Colour coded M.K.P.
- Sterile / Non-Pyrogenic/Single Use

Technical Specification

Size	Catheter Outer Dia (mm)	Catheter Length (mm)	Water Flow rate (ml./min.)	Packing inner/Outer Unit
14G Orange	2.1	45	270	100/1000
16G Grey	1.8	45	200	100/1000
17G White	1.5	45	125	100/1000
18G Green	1.3	45	90	100/1000
20G Pink	1.1	32	60	100/1000
22G Blue	0.9	25	36	100/1000
24G Yellow	0.7	19	23	100/1000
26G Violet	0.6	19	15	100/1000



Quick Flash
Back Needle

**IV CANNULA/ CATHETER
WITH SMALL WINGS & WITHOUT INJECTION PORT**

FEATURES: The slim design of product allows easy handling of product even by single hand.

NEEDLE: Siliconized, ultra sharp, multi facet, stainless steel, back cut, needle help clinician to perform easy and painless veni puncture.

CATHETER: Siliconized with an exclusive process and made of FEP/ PTFE/PUR material has smooth outer surface and tapered tip for extra smooth and painless veni puncture with minimum pain.

Transparent & Long needle Hub : It provide confirmation of successful catheter placement immediately.

FLASHBACK CHAMBER: It allows quick visualizations of flash back of blood and hole allows more secure fixation.

FLEXIBLE WINGS: The flexible small wings provides easy gripping and follows the contours of site allowing more secure fixation.

NEEDLE COVER: Transparent needle cover to prevent accidental damage to needle and catheter.

OPTION AVAILABLE :

- FEP/PTFE/PUR Catheter
- Medical paper/Tyvek
- Packing in Colour coded M.K.P.
- Sterile / Non-Pyrogenic/Single Use

Technical Specification

Size	Catheter Outer Dia (mm)	Catheter Length (mm)	Water Flow rate (ml./min.)	Packing inner/Outer Unit
14G Orange	2.1	45	270	100/1000
16G Grey	1.8	45	200	100/1000
17G White	1.5	45	125	100/1000
18G Green	1.3	45	90	100/1000
20G Pink	1.1	32	60	100/1000
22G Blue	0.9	25	36	100/1000
24G Yellow	0.7	19	23	100/1000
26G Violet	0.6	19	15	100/1000



Quick Flash
Back Needle



Tapered Tip



Thumb Control for
ease of insertion



Flash Back
Chamber

**IV CANNULA/ CATHETER
WITH SMALL WINGS & WITHOUT INJECTION PORT**

FEATURES:

NEEDLE: Siliconized, ultra sharp, multi facet, stainless steel, back cut, needle help clinician to perform easy and painless veni puncture.

CATHETER: Siliconized with an exclusive process and made of FEP/PTFE/PUR material has smooth outer surface and tapered tip for extra smooth and painless vein puncture with minimum trauma.

FLASHBACK CHAMBER: It allows quick visualizations of flash back of blood and confirmation of successful catheter placement in vein.

FLEXIBLE WINGS: The flexible wings provides easy gripping and follows the contours of site allowing more secure fixation.

NEEDLE COVER: Transparent needle cover to prevent accidental damage to needle catheter

OPTION AVAILABLE :

- FEP/PTFE/PUR Catheter
- Medical paper/Tyvek
- Hydrophobic filter
- Sterile / Non-Pyrogenic/Single Use

Technical Specification

Size	Catheter Outer Dia (mm)	Catheter Length (mm)	Water Flow rate (ml./min.)	Packing inner/Outer Unit
24G Yellow	0.7	19	23	100/1000
26G Violet	0.6	19	15	100/1000



Tapered Tip



Quick Flash Back Needle



Colored Plain Body



Transparent Needle Hub Square Shaped

**IV CANNULA/ CATHETER
WITHOUT WINGS & WITHOUT INJECTION PORT**

FEATURES:

NEEDLE: Siliconized, ultra sharp, multi facet, stainless steel, back cut, needle help clinician to perform easy and painless veni puncture.

CATHETER: Siliconized with an exclusive process and made of FEP/PTFE/PUR material has smooth outer surface and tapered tip for extra smooth and painless veni puncture with minimum pain.

FLASHBACK CHAMBER: It allows quick visualizations of flash back of blood and confirmation of successful vein puncture.

NEEDLE COVER: Transparent needle cover to prevent accidental damage to needle and catheter.

OPTION AVAILABLE :

- FEP/PTFE/PUR Catheter
- Hydrophobic filter
- Medical paper/Tyvek
- Sterile/Non-Pyrogenic/Single use

Technical Specification

Size	Catheter Outer Dia (mm)	Catheter Length (mm)	Water Flow rate (ml./min.)	Packing inner/Outer Unit
14G Orange	2.1	45	270	100/1000
16G Grey	1.8	45	200	100/1000
17G White	1.5	45	125	100/1000
18G Green	1.3	45	90	100/1000
20G Pink	1.1	32	60	100/1000
22G Blue	0.9	25	36	100/1000
24G Yellow	0.7	19	23	100/1000
26G Violet	0.6	19	15	100/1000



Quick Flash Back Needle



Color Code

**PEN TYPE
IV CANNULA/ CATHETER**

FEATURES:

NEEDLE: Siliconized, ultra sharp, multi facet, stainless steel, back cut, needle help clinician to perform easy and painless veni puncture.

CATHETER: Siliconized with an exclusive process and made of FEP/PTFE/PUR material has smooth outer surface and tapered tip for extra smooth and painless veni puncture with minimum pain.

FLASHBACK CHAMBER: It allows quick visualizations of flash back of blood and confirmation of successful catheter placement in vein.

NEEDLE COVER: Transparent needle cover to prevent accidental damage to needle catheter

OPTION AVAILABLE :

- FEP/PTFE/PUR Catheter
- Hydrophobic filter
- Sterile/Non-Pyrogenic/Single use

Technical Specification

Size	Catheter Outer Dia (mm)	Catheter Length (mm)	Water Flow rate (ml./min.)	Packing inner/Outer Unit
14G Orange	2.1	45	270	100/1000
16G Grey	1.8	45	200	100/1000
17G White	1.5	45	125	100/1000
18G Green	1.3	45	90	100/1000
20G Pink	1.1	32	60	100/1000
22G Blue	0.9	25	36	100/1000
24G Yellow	0.7	19	23	100/1000
26G Violet	0.6	19	15	100/1000



**IV CANNULA/ CATHETER
FOR VETERINARY USE**

FEATURES:

NEEDLE: Siliconized, ultra sharp, multi facet, stainless steel, back cut, needle help clinician to perform easy and painless veni puncture.

CATHETER: Siliconized with an exclusive process and made of FEP/PTFE/PUR material has smooth outer surface and tapered tip for extra smooth and painless veni puncture with minimum pain.

FLASHBACK CHAMBER: It allows quick visualizations of flash back of blood and confirmation of successful vein puncture.

NEEDLE COVER: Transparent needle cover to prevent accidental damage to needle and catheter.

OPTION AVAILABLE :

- FEP/PTFE/PUR Catheter
- Hydrophobic filter
- Medical paper/Tyvek
- Sterile/Non-Pyrogenic/Single use

Technical Specification

Size	Catheter Outer Dia (mm)	Catheter Length (mm)	Water Flow rate (ml./min.)		Packing inner/Outer Unit
14G Orange	2.1	100	270	Horse, Cow, Buffalo	100/1000
14G Orange	2.1	50	270	Calf, Goat	100/1000
18G Green	1.3	45	90	Dog	100/1000
18G Green	1.3	33	90	Large Dog	100/1000
20G Pink	1.1	33	60	Dog	100/1000
20G Pink	1.1	25	60	Dog, Cat	100/1000
22G Blue	0.9	25	36	Cat	100/1000
24G Yellow	0.7	19	23	Puppy, Rabbit	100/1000



THREE WAY STOP COCK

FEATURES:

- 6% Luer Taper and 360° smooth rotation.
- Arrow mark for indicating the direction of flow.
- Special Siliconization process allows very smooth and jerk free rotation of Tap.
- Transparent Polycarbonate body allows easy observation of flow.
- No leakage under pressure up to 3 bars.
- Two Female Luer and One Male Luer with 6% Taper as per ISO-80369-7.
- Male Luer having rotator for secure connection with other accessories.

OPTION AVAILABLE :

- Universal Colour Coding of tap/handle (Red, Blue & White)
- Lipid Resistant.
- Red & Blue Coloured Pegs for arterial and venous line identification.

Technical Specification

Size	Material	Packing inner/Outer Unit
Red	Lipid/Non Lipid	50/500
Blue	Lipid/Non Lipid	50/500
White	Lipid/Non Lipid	50/500



Rotating Male Luer Lock



Male Luer Lock



3 way stop cock

THREE WAY STOP COCK WITH EXTENSION TUBE

FEATURES:

- Three way stopcock at one end and Male Luer connector at the another end. Universal 6% taper on luer allows connections with a wide range of Medical Devices.
- 360° degree smooth rotation of tap.
- Red and blue pegs for arterial and venous line identification.
- Minimum priming volume

OPTION AVAILABLE:

- DEHP Free PVC tube
- Lipid resistant
- Tube length 10cm to 250cm

Technical Specification

Size	Ext. - Int. Dia	Length (cm)	Packing inner/Outer Unit
10CM	4.5 - 2.8	10CM	50/500
25CM	4.5 - 2.8	25CM	50/500
50CM	4.5 - 2.8	50CM	50/500
75CM	4.5 - 2.8	75CM	30/300
100CM	4.5 - 2.8	100CM	30/300
150CM	4.5 - 2.8	150CM	30/300
200CM	4.5 - 2.8	200CM	30/300
250CM	4.5 - 2.8	250CM	30/300



Rotating Male Luer Lock



Female Luer Lock

**EXTENSION TUBE
(High Pressure & Low Pressure)**

FEATURES:

- Used to extend the IV fluid pathway and for blood/blood derivatives/nutritive or medicinal fluids transfusion and or infusion.
- Flow Rate of Low Pressure Extension line is 200ml/min.
- Male Luer Lock and Female Luer Lock connector at ends to make connection with other equipment or devices all in compliance with ISO-80369-7 (6% luer taper).

OPTION AVAILABLE:

- DEHP Free PVC tube
- Lipid resistant
- Tube length 10cm to 250cm
- Minimum priming volume
- Sterile/Non-Pyrogenic/Single use

Technical Specification

Size	Ext. - Int. Dia	Length (cm)	Packing inner/Outer Unit
10CM	4.0 - 2.8	10CM	50/500
25CM	4.0 - 2.8	25CM	50/500
50CM	4.0 - 2.8	50CM	50/500
75CM	4.0 - 2.8	75CM	30/300
100CM	4.0 - 2.8	100CM	30/300
150CM	4.0 - 2.8	150CM	30/300
200CM	4.0 - 2.8	200CM	30/300
250CM	4.0 - 2.8	250CM	30/300

ENDOTRACHEAL TUBE



**ENDOTRACHEAL TUBE
CUFFED/PLAIN**

FEATURES:

- Used to maintain a patent airway and mechanically ventilate patients.
- Made from non-toxic, non-irritant medical grade clear PVC.
- Kink resistant, thin-walled, thermo-sensitive tube, softens at body temperature.
- Smooth inside/outside surface for ease in intubation, extubation and suctioning.
- Smooth polished Murphy eye, distal end and tapered balloon end for atraumatic intubation and extubation.
- Kink resistant inflation tube to ensure patient safety during cuff inflation and deflation.
- Radio opaque line and markings provided to facilitate identification of tube position.
- Universal 15 mm connector at proximal end.
- E.T.O Sterile and Pyrogen free. For single patient use only.

Size Plain (mm)	Size Cuffed (mm)	Packing inner/Outer Unit	Size Cuffed (mm)	Packing inner/Outer Unit
2.0	4.0	25/200	8.0	25/200
2.5	4.5	25/200	8.5	25/200
3.0	5.0	25/200	9.0	25/200
3.5	5.5	25/200	9.5	25/200
4.0	6.0	25/200	10.0	25/200
4.5	6.5	25/200		
5.0	7.0	25/200		
5.5	7.5	25/200		



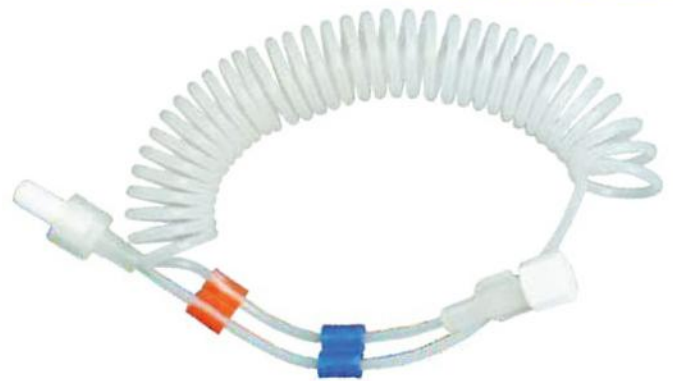
**Pressure Polyethylene (PE)
Extension Line**

FEATURES:

- PE Extension Line (straight) :-** It is suitable for Pressure Monitoring and for connection between syringe infusion pump to Patient:-
- It has small bore for High Pressure.
 - Made of Polyethylene.
 - It is made of inert material so all types of commonly used infusion fluids can be used through this tube.
 - Leak proof Male Luer Lock and Female Luer Lock made according ISO-80369-7 are provided at ends ensure, fitment to all standard Medical Equipment and Devices.

Available in following configurations:-

- Length : 50, 100,150,200cm
- Capacity 1.0ml per 100 cm.
- Tube Diameter: Internal 1.0mm & external 2.0 mm.
- Male luer at one end and female luer at other end.
- Male Luer & female Luer complies ISO-80369-7.
- Packed in peel open pouch or soft blister pack.
- Sterile/Non-Pyrogenic/Single use



FEATURES:-

PE Extension Line (Coiled):-

- Coiled in special design to give comfortable movement to patients.
- Coiled Extension tube work as spring and expands & contract according to the patient movement.



Flow Regulator



Airvent



Sharp Spike

I.V. INFUSION SET

FEATURES:

- Sharp piercing spike for easy insertion in fluid bottle.
- Transparent collapsible drip chamber with fluid filter.
- 1500mm long kink resistant tube.
- Efficient roller controller for constant flow rate.
- latex Bulb for extra medication.
- Infusion set with drop rate-20 drops/ ml.
- Packing Ribbon/ HM pouch /Soft Blister

Option Available:

- I.V. Set VENTED / NON-VENTED
- I.V. Set with MICRODRIP 60 drops
- I.V. Set with "Y" Injection Site
- I.V. Set with Flow Regulator
- I.V. Set with male luer slip
- I.V. Set with rotating male luer lock
- I.V. Set with needle free injection site

Technical Specification

Size	Capacity	Packing Inner/Outer Unit
Vented	20 drops/ml	25/500
Non-Vented	20 drops/ml	25/500
Microdrip	60 drops/ml	25/500



Sharp Spike



Smooth Flow Regulator



Transparent Drip Chamber

BLOOD TRANSFUSION SET

FEATURES:

- For transfusion of blood or blood components.
- Soft, flexible and transparent drip chamber.
- Soft and kink resistant DEHP free PVC tube.
- For approximately 20 drops/ml
- With 200 micron blood filter

Options Available:

- With or without needle
- Luer Lock or Luer slip
- With airvent spike/ without airvent spike
- With "Y" injection site (Latex or Latex Free)
- Latex Bulb for intermittent medication
- Packed in pouch or blister

Technical Specification

Size	Capacity	Packing inner/Outer Unit
Vented	20 drops/ml	25/500
Non-Vented	20 drops/ml	25/500



Microdrip



Airvent



Silicon Floater

MEASURED VOLUME SET

Features and Benefits:

- Flexible, Transparent & soft calibrated cylindrical Measured Volume Chamber. Chamber injection port allows medication to be injected into burette chamber for extra medication.
- Strong, Sharp and air vented spike is made of sturdy Medical Grade ABS material for easy insertion in I.V. Container.
- Shut off floater to prevent air embolism and it helps to indicate fluid level. Soft flexible drip chamber fitted with 15 µm fluid filter and micro driper for delivery of approximately 60 drops/ml.
- Soft and kink resistant tube with bulb latex for easy flushing.

Options Available:

- Hanger
- Luer Lock or Luer Slip
- Needle free "Y" Injection site
- Hypodermic needle : 23 G x 1"
- Airvent spike/ Non airvent spike
- Burette Volume of 150ml/ 110ml/ 100ml
- Tube Length from 150cm to 200 cm.
- "Y" injection port
- Automatic shut off valve
- DEHP free tube

Technical Specification

Size	Capacity	Packing inner/Outer Unit
110 ML	Dispo M.V. - 110 ml	10/100
100 ML	Dispo M.V. - 100 ml	10/100
150 ML	Dispo M.V. - 150 ml	10/100



Panda



Puppy



Handy



Mini

NEBULIZER

FEATURES:

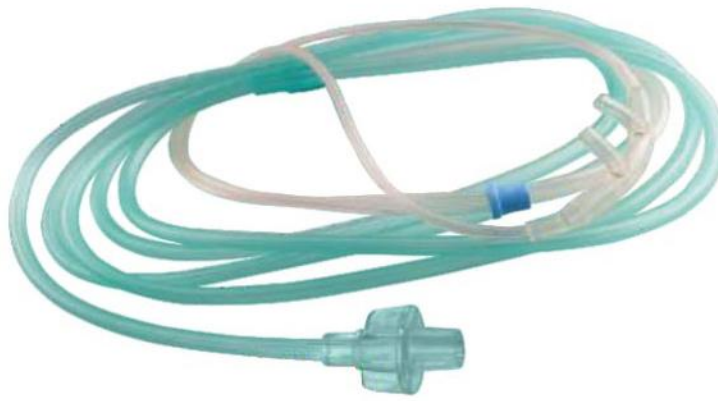
- Compressor based Nebulizer machine which uses compressed air to deliver medications in the form of aerosol-a fine mist that can be inhaled.
 - Safe-NEB allows the medication to go directly to a patient airways and lungs. The medication can be given over a long period of time.
 - Safe-NEB makes inhaling medication easier for patient who are having serious difficulty in breathing or who have trouble using an inhaler which requires careful timing and control of one's breathing.
- | | |
|---|-------------------------|
| 1. Compressor based | 2. Compact and portable |
| 3. Efficient respiratory therapy | 4. Use by all ages |
| 5. Can be operated continuously 20 min-ON & after 40min-OFF | |

SPECIFICATION :

Maximum Compressor Pressure	: 2.5 - 3.0 bar
Nebulization Rate	: 0.3ml/min
Nebulizer Cup Capacity	: 6ml
Particle Size (mmda)	: 0.5µm to 5µm
Noise level	: 55dba
Dimension(Compressor only)	: 10.7"x6.6"x4.5"
Weight (compressor only)	: 1.83 kg (4.0 pound)
Electrical Requirement	: 120v/60hz or 222v/50hz

Nebulizer Assembly & Accessories:

- | | | | |
|------------------|---------------------|-------------------|------------------|
| 1. Tubing | 3. Nebulizer insert | 5. Universal mask | 7. Extra Filters |
| 2. Nebulizer Cup | 4. Nebulizer Cap | 6. Mouth Piece | |



Soft Twin Bore Nasal



Wing Connector
for easy functioning



Connecting Tube

TWIN BORE NASAL OXYGEN SET

FEATURES:

- Used for easy & efficient administration of oxygen.
- Star lumen tube ensure the supply of oxygen even if tube is accidentally kinked.
- Soft twin prong nasal tip to ensure equal volume of oxygen to both air passages.
- Soft and kink resistant PVC Tube.
- Soft, smooth nasal tips for maximum comfort to patient.
- Soft funnel shape connector facilitates easy connection to the oxygen source.
- Available with DEHP Free tube.
- Tube Length : 200 cm

OPTION AVAILABLE:

- Infant
- Paediatric
- Medium
- Large

Technical Specification

Size	Tube Length	Packing inner/Outer Unit
Infant	200 CM	50/500
Paediatric	200 CM	50/500
Medium	200 CM	50/500
Large	200 CM	50/500



NEBULIZER FACE MASK

Nebulizer turns medication into a mist so that it can be breathed directly into lungs through face mask

FEATURES:

- Swivel Connector for patient comfort.
- 200 cm long star lumen kink resistant tube.
- Non-Sterile/Sterile mask packed in class 10k clean room.
- Nebulizer mask & Oxygen mask made from Food Grade odour less PVC material.
- Soft, large & designed in such a way that face mask fits comfortably over face.
- Elastic strap provided to position the mask properly.
- Soft connector of funnel shape provided for easy connection to oxygen source.



OXYGEN FACE MASK

Oxygen mask has been designed to deliver oxygen to the patient during surgeries or critical care.

Technical Specification

Size	Tube Length	Outer Packing Unit
Infant	200 CM	120
Paediatric	200 CM	120
Medium	200 CM	120
Large	200 CM	120



Wing Type Tube
Connector



Mask
Connector



Oxygen Mask
with More Holes



SUCTION CATHETER

FEATURES:

- Suction Catheter is a long flexible tube which is used in intensive case to remove secretion from the mouth and airways of critically ill patients. This catheter is connected to a collection container and a device that generate suction.
- Manufactured from Non-toxic, DEHP Free.
- Universal color coded funnel connector for size identification and secure connection with suction connector.
- Distal end is open with one lateral eye to avoid trauma during suction of oral-bronchial secretion.
- Frost finished or clear tube along with traumatic eyes for smooth incubation
- Graduated marked for correct position of catheter.
- Length 50 cm
- Available size : 8 FG to 20 FG
- Straight peel open pack

OPTION AVAILABLE :

- Universal Type - Thumb Control - Finger Tip Control - DEHP free tube
- Sterile/Non-Pyrogenic/Single use

Technical Specification

Size	Colour	Packing inner/Outer Unit
8FG	Blue	25/250
10FG	Black	25/250
12FG	White	25/250
14FG	Green	25/250
16FG	Orange	25/250
18FG	Red	25/250
20FG	Yellow	25/250



Color Code

RYLE'S TUBE / NASOGASTRIC TUBE

Features and Benefits:

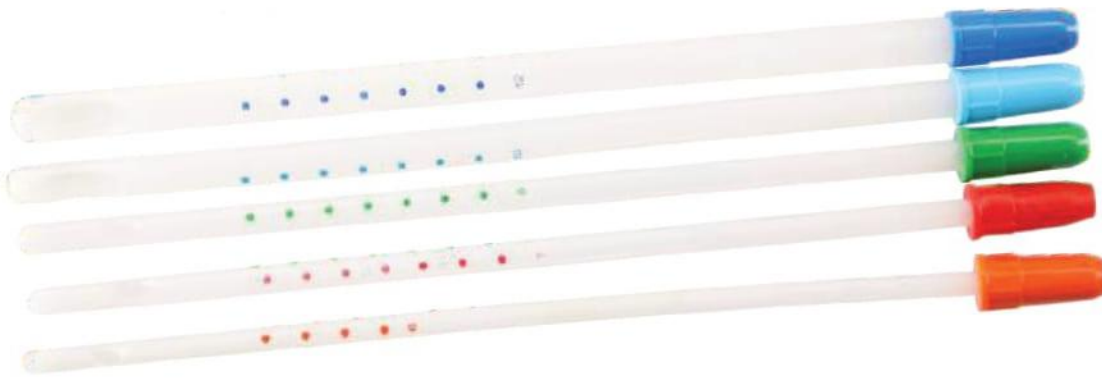
- Nasogastric feeding tube for introduction of nutrition and aspiration of interstitial secretion.
- It has four lateral eyes to avoid blockage and easy flushing help to release any formula stuck to the inside of the tube.
- The distal end is closed by a special process to avoid any sharp point and have marking for accurate placement.
- Soft, frosted and kink resistant PVC tube with radio-opaque line marked at 50,60 & 70 cm from the tip for accurate placement.
- Funnel end connector is colour coded for easy identification of size.
- Length 105 cm
- DEHP free tube

OPTION AVAILABLE :

- With Luer Connector - DEHP free tube
- Without Luer Connector - Sterile/ Non-Pyrogenic/Single use

Technical Specification

Size	Colour	Packing inner/Outer Unit
6FG	Light Green	25/250
8FG	Light Blue	25/250
10FG	Black	25/250
12FG	White	25/250
14FG	Green	25/250
16FG	Orange	25/250
18FG	Red	25/250



Karman Cap



Lateral eye

KARMAN CANNULA

FEATURES:

- Made from soft, flexible non toxic plastic designed for aseptic Medical Termination of Pregnancy.
- Universal adopter for connecting to suction apparatus.
- Distal end is closed with a special process.
- Two large lateral eyes are provided at distal end to facilitate the curette and trauma free insertion.
- With universal connector for connecting to MTP syringe or suction apparatus.
- Packed in a straight sealed pouch.
- Sterile/Non-Pyrogenic/Single use

Technical Specification

Size	Colour	Packing inner/Outer Unit
5FG	Grey	25/250
6FG	Orange	25/250
7FG	Red	25/250
8FG	Green	25/250
10FG	Blue	25/250
12FG	Dark Blue	25/250



CLOSED WOUND SUCTION UNIT

FEATURES:

- Radio opaque drainage catheter has multiple very smooth perforations for optimum drainage. End of the perforated catheter is tip formed to minimize the trauma to patient.
- Bellow container is made of flexible plastic so that one person can easily operate to activate the suction.
- Connecting tube is kink resistant, DEHP free with extra strength to withstand the suction.
- Bellow container is graduated marked for aspiration of 450ml fluid. Curved and Siliconized Alene Needle is made of stainless steel for smooth sliding of the needle through tissue.
- Available in different sizes with matching size Alene Needle to meet moderate to heavy drainage needs.
- Also available in mini model for small volumes after surgery (50ml) with 6 FG & 8FG drainage catheter & alene needle.
- Hanger is provided for easily handling of set.
- Sterile / Non-Pyrogenic/ Single use



Technical Specification

Size	Colour	Packing inner/Outer Unit
6FG	Sea Green	01/40
8FG	Blue	01/40
10FG	Black	01/40
12FG	White	01/40
14FG	Green	01/40
16FG	Orange	01/40
18FG	Red	01/40



FOLEY BALLOON CATHETER

FEATURES:

- Siliconised smooth surface for non-traumatic intubation catheters are made from natural latex rubber.
- Distal end is closed by a special process and coned with two burr free eyes to prevent the risk of injury and encrustation.
- Provided with ultra-thin highly elastic balloon capable of expanding symmetrically for retroflexion in bladder.
- Hard plastic valve permits secure connection with commonly used syringe nozzles for inflation/deflation and are proved to be more efficient than soft rubber/valves.
- Also available in 100% silicone Elastomer.
- For sizes 8 FR to 26FR, smaller balloon capacity is also available on customer requirement.
- Sterile Individually packed in peelable blister pack.
- Sterile/ Non-Pyrogenic/Single use

Technical Specification

Two Way	
Size	Balloon Capacity
8 & 10	3cc
12 & 14	15cc
16,18,20,22,24 & 26	30-50cc

Three Way	
Size	Balloon Capacity
16,18,20,22,24 & 26	30-50cc

Size	Colour	Packing inner/Outer Unit
8FR	Black	10/600
10FR	Grey	10/600
12FR	White	10/600
14FR	Green	10/600
16FR	Orange	10/600
18FR	Red	10/600
20FR	Yellow	10/600
22FR	Violet	10/600
24FR	Blue	10/600
26FR	Pink	10/600



LATEX SURGICAL GLOVES

LATEX EXAMINATION GLOVES

FEATURES: (Surgical Gloves)

- Sterile Surgical Gloves are made of Natural Latex/Rubber
- Powder/ Powder free available as per buyers requirement.
- Sterile / Non-Pyrogenic /Single use

FEATURES: (Examination Gloves)

- Non-Sterile examination gloves are made from latex with a rolled cuff.
- It provides exceptional sense of touch and a sure grip.
- These are used for nursing and during medical examinations of patients in hospitals etc.
- Powder/ Powder free available as per buyers requirement.

AVAILABLE:

- Tear open pouch / Peel open pouch
- Size: 6, 6.5, 7, 7.5, 8 & 8.5

Technical Specification

Size (Surgical Gloves)	Size (Examination Gloves & Surgical Gloves)	Packing Examination Glove inner/Outer unit	Packing Surgical Gloves inner/Outer Unit
6	Extra Small	100/1000	50/500
6.5	Small	100/1000	50/500
7	Medium	100/1000	50/500
7.5	Large	100/1000	50/500
8	Extra Large	100/1000	50/500
8.5	Extra Large	100/1000	50/500



FLOW REGULATOR SET

I.V. Flow regulator is used for regulation of fluid delivery in I.V. Administration.

FEATURES:

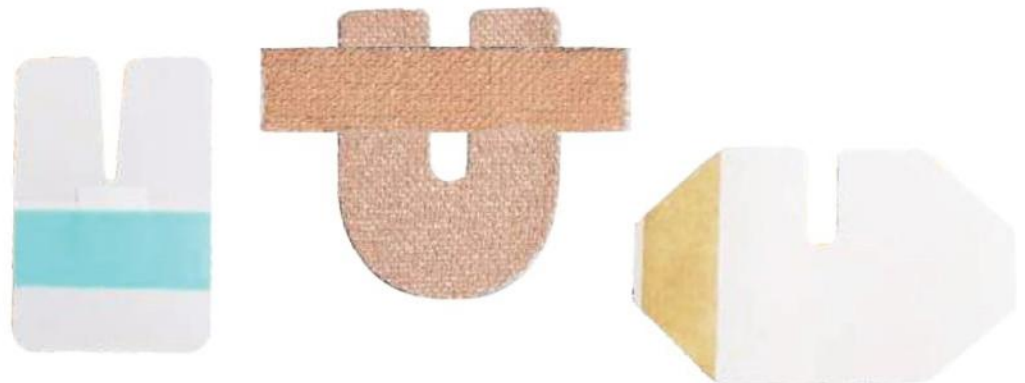
- The material of flow regulator set is suitable for the use with most of the drugs.
- DEHP Free tube of ID: 3.0mm & OD:4.1mm.
- The Flow regulator has ribs for easy gripping and smooth rotation.
- This product can be supplied with I.V. Set for paediatric use.

Available Option:

- DEHP Free tube
- Latex Free Y* injection site
- Needle Free "Y" injection site
- Customized tube length available
- Male Luer Lock
- Rotating Male Luer Lock
- Sterile/Non-Pyrogenic/Single use

Special Quality Features:

- Heat resistant
- Microchannel
- Low standard deviation, high precision
- Easy and smooth regulation.



I.V. FIXATOR

FEATURES:

- It is used to cover and protect catheter sites and to secure devices to the skin.
- It saves nursing time as the fixation of I.V. Cannula is very fast and efficient with fixator.
- Hypo-allergic, can be used on patient with fragile skin also.
- The use of cannula fixator results in less pain, easy and excellent grip over the I.V. Cannula.
- It stretches with body movements.

Tapes & Dressing :

- Made of porous and breathable packing material. ensure the skin can breath normally.
- Uniformly coated with hypo-allergic polyacrylate adhesive
- It is latex free. - The sensitive adhesive activate better when it come in contact with warm human skin.
- Highly resistant to water & Vapor, adhesive remains in excellent condition.



UMBILICAL CORD CLAMP

FEATURES:

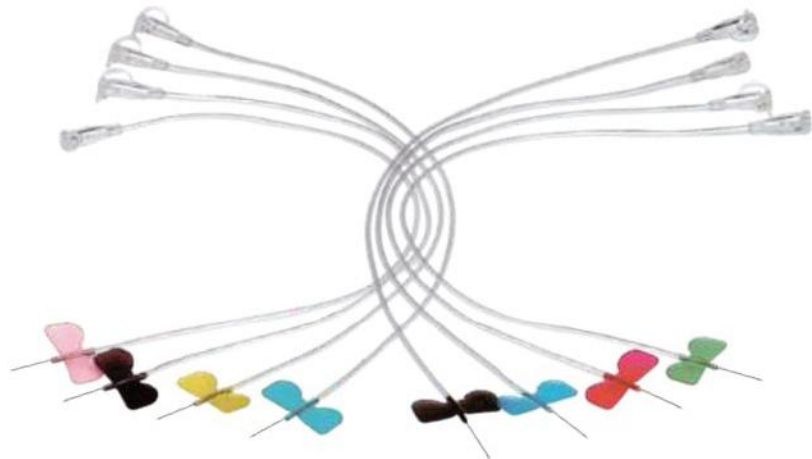
- Designed for clamping Umbilical Cord immediately after birth.
- Provided with non-reopenable locks to avoid any accidental opening of clamp.
- Provided with secure and leak proof jaws to ensure proper clamping

OPTION AVAILABLE:

- BLUE
- WHITE
- GREEN

Technical Specification

Size	Packing inner/Outer Unit
Blue	100/1000
White	100/1000
Green	100/1000



SCALP VEIN SET / BUTTERFLY SET

FEATURES:

- Soft flexible wings for easy gripping and secure positioning on the skin.
- Made of DEHP Free PVC.
- Needle is fixed into wings on an automatic assembly machine.
- Every Needle tip is inspected by a high definition Electronic Vision Camera for its angle/burrs and tip blunt.
- Needle is siliconized.
- Siliconized needle has sharp bevel three facet needle point.
- PVC tube is soft, flexible & kink resistance.
- Color coded wings for easy identification.
- Sterile/Non-Pyrogenic/Single use

Technical Specification

Size	Needle Length (mm)	Needle Diameter (mm)	Packing inner/Outer Unit
18G	19	1.20	100/1000
19G	19	1.10	100/1000
20G	19	0.90	100/1000
21G	19	0.80	100/1000
22G	19	0.70	100/1000
23G	19	0.60	100/1000

Quality :

- Conform to ISO 8536-4 standard & ISO 7864



INJECTION STOPPER / HEPARIN CAP

FEATURES:

- Universal 6% Taper as per ISO-80369-7, Compatible with any standard product.
- Latex Free plug with leakage free fitting for drawing of blood samples or injecting intermittent medicine.
- Minimal dead space.
- Individually packed in rigid blister.
- Sterile / Non Pyrogenic/ Single use

OPTION AVAILABLE:

- In transparent body
- Latex Plug/Injection site
- Silicon Plug/Injection site
- Isoprene Plug/Injection site

Technical Specification

Size	Material	Packing Inner/Outer Unit
Yellow	Latex / Isoprene	250/1250
Transparent	Latex / Isoprene	250/1250



URINE COLLECTION BAG

FEATURES:

- Made of medical grade Non-toxic, bio-compatible P.V.C. sheets.
- Two layer laminated PVC sheet to avoid any leakage /seepage.
- Designed outlet connector to make closed connection with Foley.
- Non return valve & drainage outlet at top.
- Provided hanging & carrying systems.
- Printed with easy read scale and other necessary subjects.
- Tube length approx 100 cm long tube.
- Capacity 2000 ml.

OPTION AVAILABLE:

- with urometer
- with bottom port

Technical Specification

Size	Capacity	Packing Inner/Outer Unit
Urine Bag- Std.	1500/2000ml	25/250
Urine Bag- Pre.	1500/2000ml	25/200



MULTI INFUSION EXTENSION LINE

FEATURES:

- Soft Flexible DEHP Free tube with 15cm length tube & pinch clamp is replace the use of stop cock.
- Luer Locks as per ISO-80369-7 for all Disposables.
- Kink -resistant quality tube.

OPTION AVAILABLE :

- Needle Less Injection site
- Lipid Resistant
- Microbore tube (1.1x2.1mm)
- Two & Three Connecting Extension Lines

Technical Specification

Size	Int. - Ext. Dia (mm)	Packing inner/Outer Unit
5cm - 100cm	2.8x3.8mm	100/1000



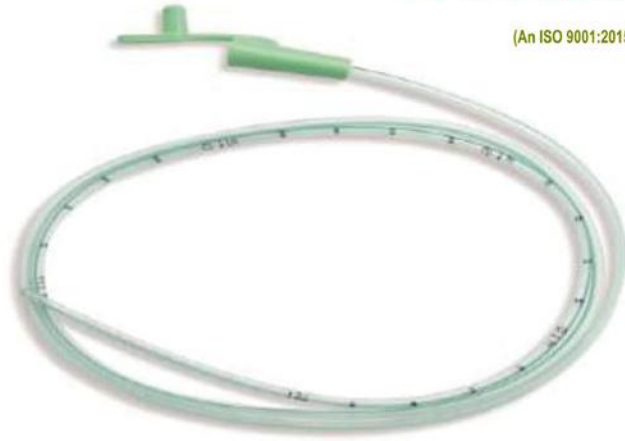
NELATON CATHETER

FEATURES:

- DEHP free & R/O lined PVC tube is used to make nelaton catheter.
- Nelaton Catheter surface is frosted for extra smooth intubation.
- The distal end is coned for atraumatic catheterization.
- Two lateral eyes allow for efficient drainage.
- Universal, Gauge color coded funnel shaped connector provide for easy connection to urine bag.
- The Length of the catheter is 400mm and effective length is 370mm.
- Sterile/Non-Pyrogenic/Single use

Technical Specification

Size	Colour	Packing inner/Outer Unit
6FG	Light Green	25/250
8FG	Blue	25/250
10FG	Black	25/250
12FG	White	25/250
14FG	Green	25/250
16FG	Orange	25/250
18FG	Red	25/250



INFANT FEEDING TUBE

FEATURES:

- For neonatal and paediatric nutritional feeding.
- DEHP Free tube with graduation mark after every cm.
- Atraumatic, soft rounded, closed tip with two lateral eyes for efficient aspiration & administration.
- X-Ray opaque line provided through out the length of Tube.
- Tube is marked at 20cm away from the distal tip.
- Closed distal end with two lateral eye.

OPTION AVAILABLE:

- Tube length 40cm, 50cm & 100cm
- Sterile/Non-Pyrogenic/Single use

Technical Specification

Size	Colour	Packing inner/Outer Unit
4FG	Red	50/500
5FG	Grey	50/500
6FG	Light Green	50/500
8FG	Blue	50/500
10FG	Black	50/500



MUCUS EXTRACTOR

FEATURES:

- Mucus extractor is used for aspiration of secretion from oropharynx in infants to ensure free respiration.
- Funnel shaped adapter at the proximal end of suction tube to ensure easy & secured connection.
- Graduated & transparent chamber allows correct measurement & visual checking of aspirate.
- Soft, frosted & kink resistant PVC tubing.
- Spare cap is provided for safe storage of specimen for analytical testing & safe disposal.

OPTION AVAILABLE:

- Capacity : 25 ml, 40 ml, 100 ml, 175 ml
- Suction Tube length available : 40 & 50cm.
- Suction Tube sizes: From 6 FG to 14 FG
- with thumb control suction catheter.
- Sterile/Non-Pyrogenic/Single use

Technical Specification

Size	Colour	Packing inner/Outer Unit
6FG	Light Green	25/250
8FG	Blue	25/250
10FG	Black	25/250
12FG	White	25/250
14FG	Green	25/250

HYPODERMIC NEEDLE



Specification :

Gauge	Color	Size	Needle Length (mm)	Needle Diameter (mm)
16G	White	1 ½"	38mm	1.6
18G	Pink	1 ½"	38mm	1.2
19G	Cream	1 ½"	38mm	1.10
20G	Yellow	1", 1 ¼", 1 ½"	25,32, 38mm	0.90
21G	Green	1", 1 ¼", 1 ½"	25,32, 38mm	0.80
22G	Black	1", 1 ¼", 1 ½"	25,32, 38mm	0.70
23G	Blue	1", 1 ¼", 1 ½"	25,32, 38mm	0.60
24G	Purple	1", 1 ¼", 1 ½"	25,32, 38mm	0.55
25G	Orange	1", 1 ¼", 1 ½"	25,32, 38mm	0.50
26G	Brown	½"	13mm	0.45

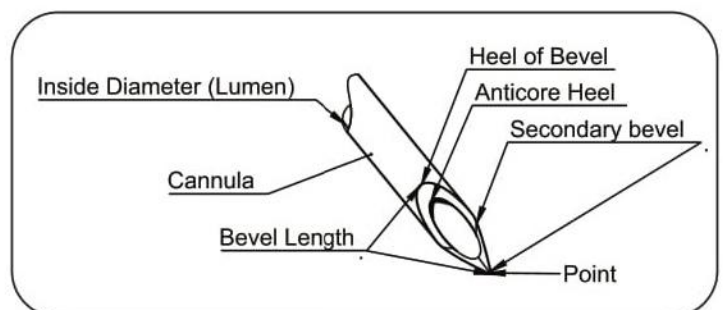
Features :

Hypodermic (Hypo-under -dermic-the skin) needle is a hollow needle commonly used with syringe to inject or extract fluid from body.

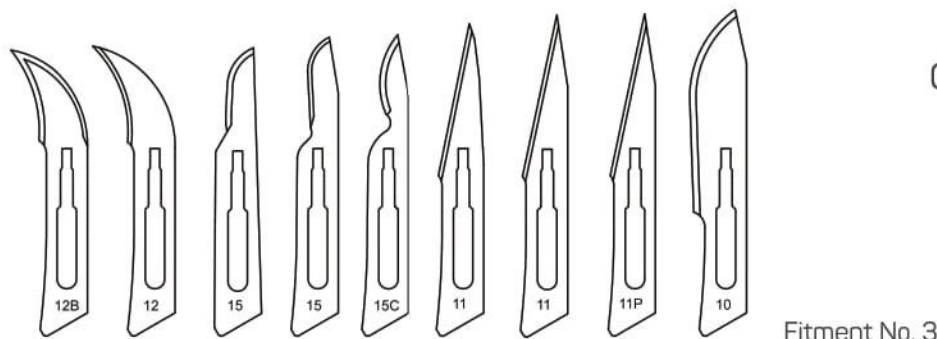
- Assembled on fully automatic machine.
- Every needle tip is passed by high resolution vision camera
- Every needle is siliconized by best silicon solution from U.S.A
- Every needle is checked for bonding with hub.
- Transparent needle cover.
- Needle hub made of polypropylene.
- Cannula is made of S.S. 304

Options available :

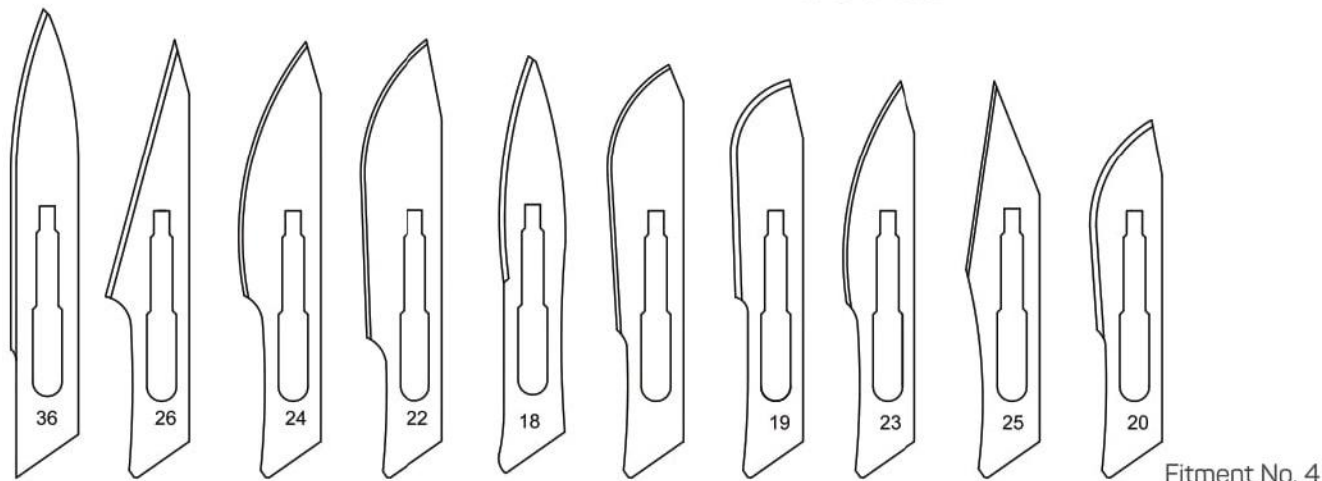
- Soft blister pack
- Sterile
- Bulk pack
- Non- sterile



SURGICAL BLADES
Carbon & Stainless Steel



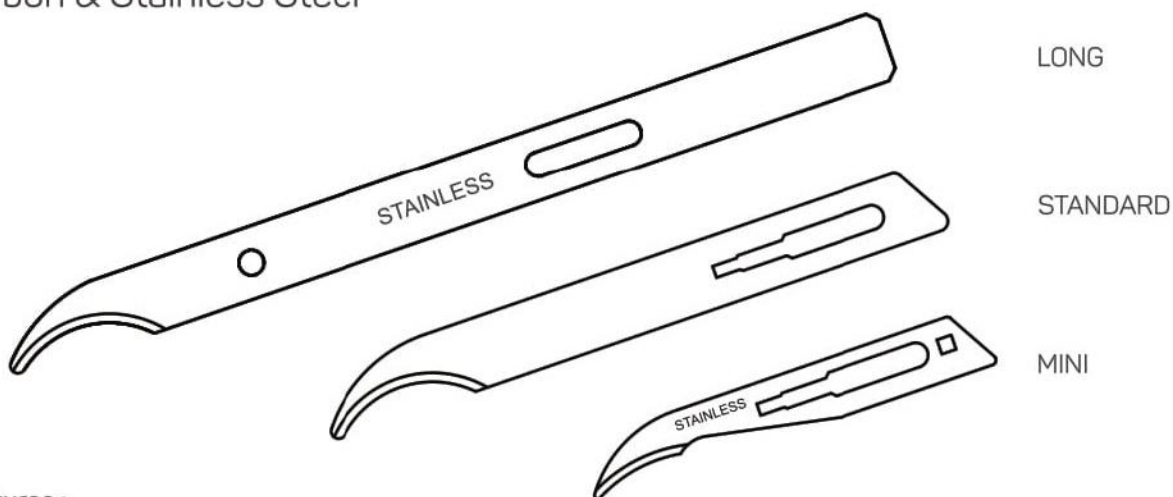
Fitment No. 3



Fitment No. 4

STITCH CUTTER

Carbon & Stainless Steel

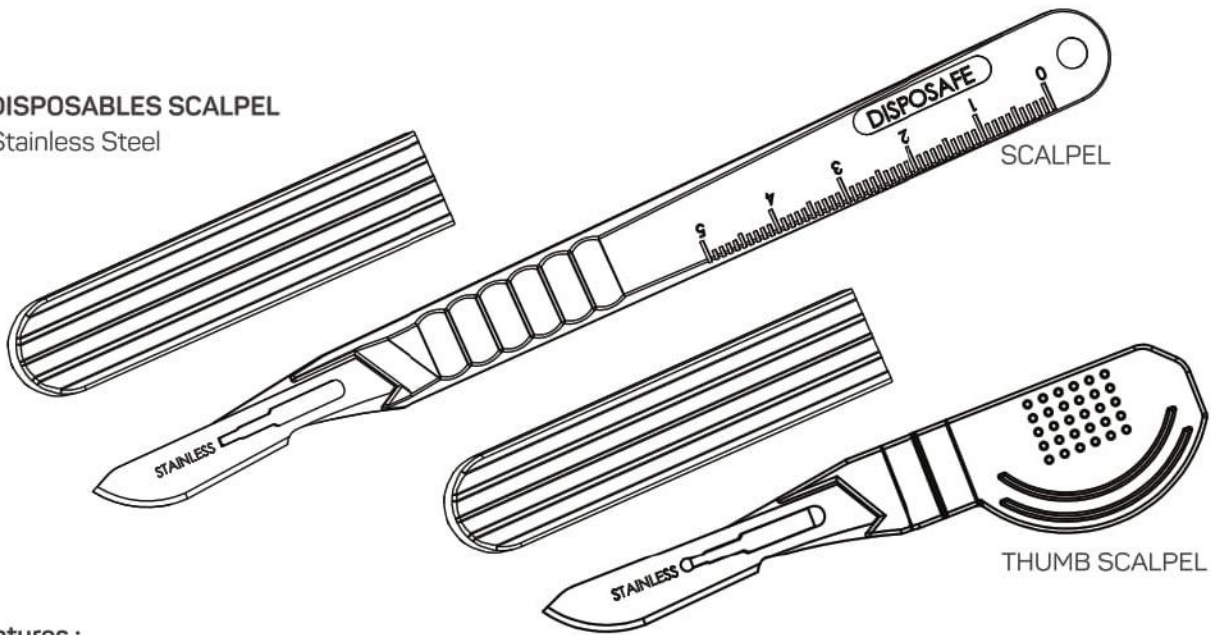


Features :

- Carbon Steel (as per BS 2982:1992)
- Stainless Steel (Grade F as per ISO 7153-1:1999)
- Complies the fitment requirement of ISO 7740:1985
- Complies the hardness requirement of BS 2982:1992
- Packed peel open pouches with a VCI protective inner line
- Sterile
- Shelf life of 5 years

DISPOSABLES SCALPEL

Stainless Steel



Features :

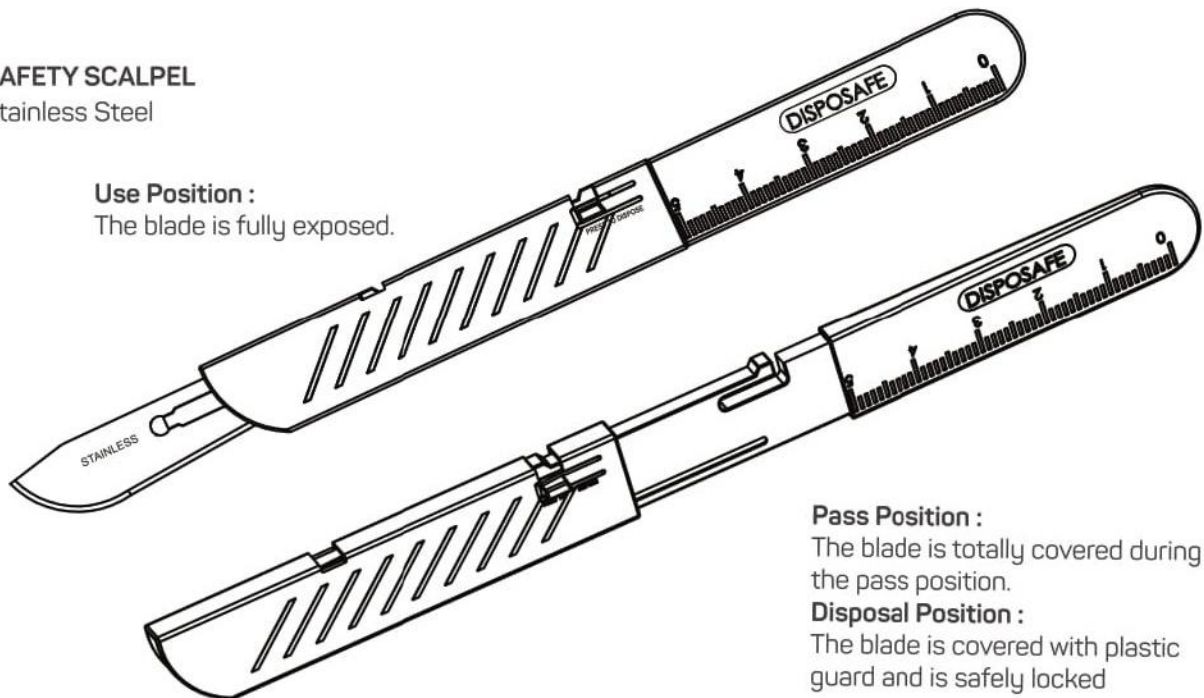
- Stainless steel surgical blade is mounted on ABS plastic handle.
- Handle is provided with fluted finger grip for better grip.
- Size of the blade is visually marked on the handle.
- Individually packed in a peel pouch.
- Sterile
- Shelf life of 5 years

SAFETY SCALPEL

Stainless Steel

Use Position :

The blade is fully exposed.



Pass Position :

The blade is totally covered during the pass position.

Disposal Position :

The blade is covered with plastic guard and is safely locked

Features :

- Stainless steel surgical blade is mounted on ABS plastic handle.
- Cap is sturdy & provided with fluted finger grip for better grip.
- Size of the blade is visually marked on the handle.
- individually packed in a peel pouch.
- Sterile
- Shelf life of 5 years

A TRUE PASSION FOR BETTER HEALTHCARE



WorldPrime
EXPORT LLP

MileStone, Near Zanzarda Cross Road, Junagadh 362001. Gujarat (INDIA)
Cell. +91 8866197888, +91 8866196888
Email:-worldprimeexport@gmail.com